

### 2 BURNER GAS HOB + SOLID TOP WITH CENTRAL CUT-OUT ON GAS OVEN



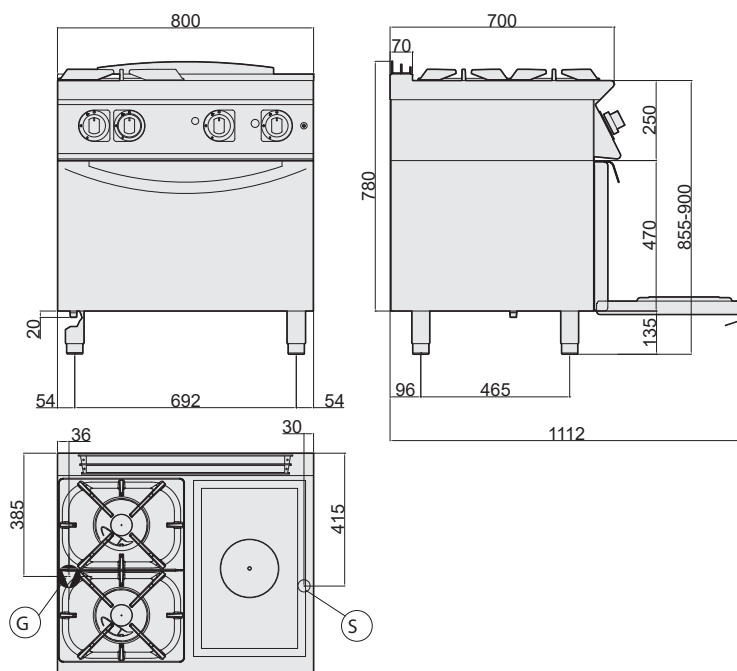
- External paneling in stainless steel
- Work surface in AISI 304, 1.2 mm thick
- Height-adjustable work surface from 855 to 900 mm
- Extra-thick radiant plate with reinforcement for proper heat distribution, equipped with central cut-out
- Heating with high-power circular steel burner
- Reaches a temperature of 450°C at the centre of the plate and 200°C near the edges
- Complete with pilot burner and safety thermocouple, gas supply controlled by safety valve
- Automatic ignition with piezoelectric ignitor
- Plate dimensions 300 x 500 mm
- The grid is shaped to also accommodate small-sized boiling pans
- Burners with power 1 x 4 kW and 1 x 8 kW
- Electric oven base in steel
- Standard gas oven, 8 kW power
- Thermostat valve for temperature regulation between 100°C and 300°C
- Stabilized flame burner complete with pilot light, safety thermocouple and piezoelectric ignitor
- Cooking chamber dimensions 693 x 300H x 580 mm GN 2/1
- Steel inner door with seal
- Ergonomic control panel with controls tilted toward the operator
- Height-adjustable stainless steel feet

#### TECHNICAL SPECIFICATIONS

Dimensions (mm)	800x700x900
Volume (m <sup>3</sup> )	0,90
Weight (kg)	100

#### GAS CONNECTION

kW	26
UNI ISO 7/1 R 1/2"	
Cold water inlet	



- Ⓐ water fill
- Ⓒ hot water fill
- Ⓔ electrical input
- Ⓕ cold water fill
- Ⓖ gas inlet
- Ⓗ water drain

