

6 BURNER BASIC GAS HOB - COUNTERTOP



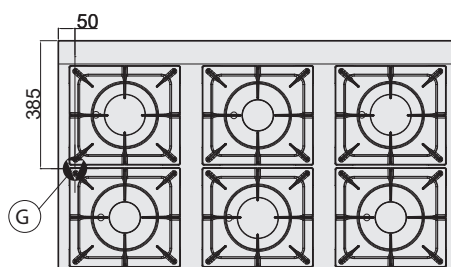
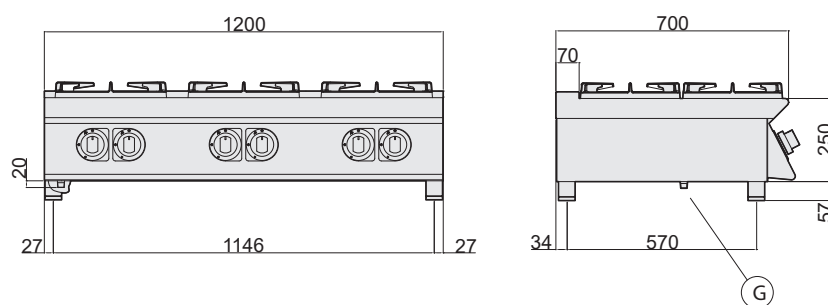
- External paneling in stainless steel
- Work surface in AISI 304, 1.2 mm thick and without flue cut-out
- Ergonomic control panel with controls tilted toward the operator
- Main burners with variable power and fixed hermetically to the top
- Safety valves with thermocouple and pilot light
- Main burner ignition with permanent, power-saving pilot burner
- Safety valves with thermocouple and pilot light
- Black enamelled cast iron grids; acid, alkaline and flame resistant
- The grid is shaped to also accommodate small-sized boiling pans
- Burner power of 3x3.5kW and 3x6kW
- Height-adjustable stainless steel feet

TECHNICAL SPECIFICATIONS

Dimensions (mm)	1200x700x250
Volume (m ³)	0,70
Weight (kg)	90

GAS CONNECTION

kW	28,5
UNI ISO 7/1 R 1/2"	
Cold water inlet	



- (A) water fill
- (C) hot water fill
- (E) electrical input
- (F) cold water fill
- (G) gas inlet
- (S) water drain