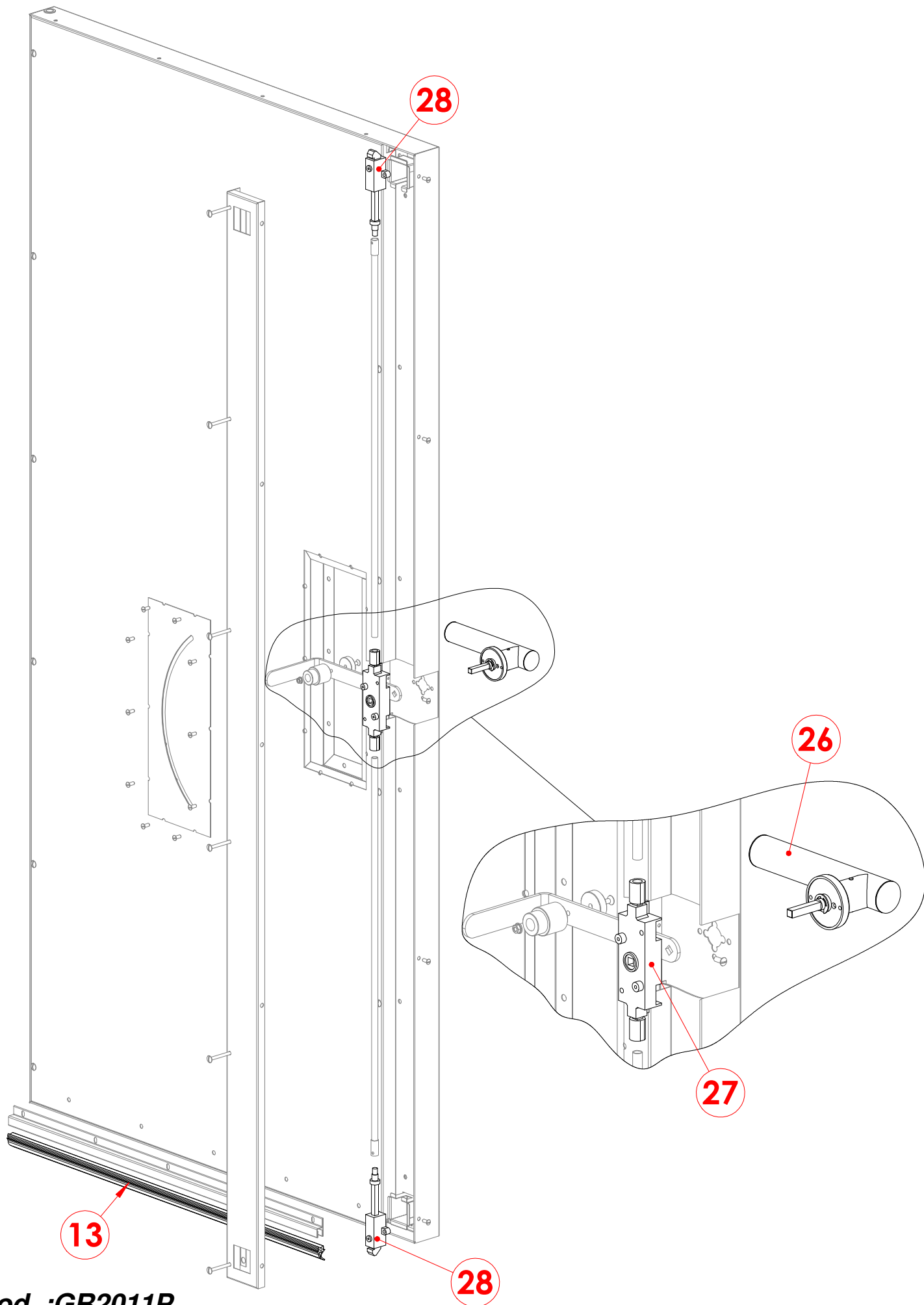


Cod. :GR2011P
Mod. :GR2011
rev.01 tav.1



Cod. :GR2011P
Mod. :GR2011
rev.01 tav.2

GR2011P

R. 01

POS.	GB	CODICE	VALID.	SCAD.
1	12-key keypad regenerator	6010142		
2	2 speed switch	6032033		
3	Neon pilot light (orange)	6061072		
4	Thermostat 1ph. safety.240°c 5610542560	6010028		
5	Buzzer board with cable	6010103		
6	Motherboard regenerator	6010140		
7	Transformer	6010079		
8	Contactore 230/240V AC	6046044		
9	Contactore 400V AC	6046046		
10	Motor capacitor 35mF	6090020		
11	Motor capacitor 30mF	6090018		
12	Whiting for closing	5900122		
13	Seal black	7070100		
14	Door microswitch	6043080		
15	Spindle for door	2015627		
16	Adjustable foot	5900038		
17	Oven fan with polygonal blades 180x77	5901003		
18	Heating element 4500 W 230V	6002112		
19	Heating element 3000 W 230V	6002113		
20	Motor 1ph hp0,25	6033154	03/02/2014	
21	2-way solenoid valve with filter	6042071		
22	Sensor j tube 110x3 cable 1400	6000093		
23	Fan	2012450		
24	Motor for valve	6031014		
25	Core probe	6000121		
26	Regenerator door knob	2021619		
27	Lock-end mechanism	5900123		
28	Lock mechanism	5900121		
29	Fan guard grid	2017638		
30	Motor shaft seal	6090157		