

ELECTRIC SOLID TOP - COUNTERTOP



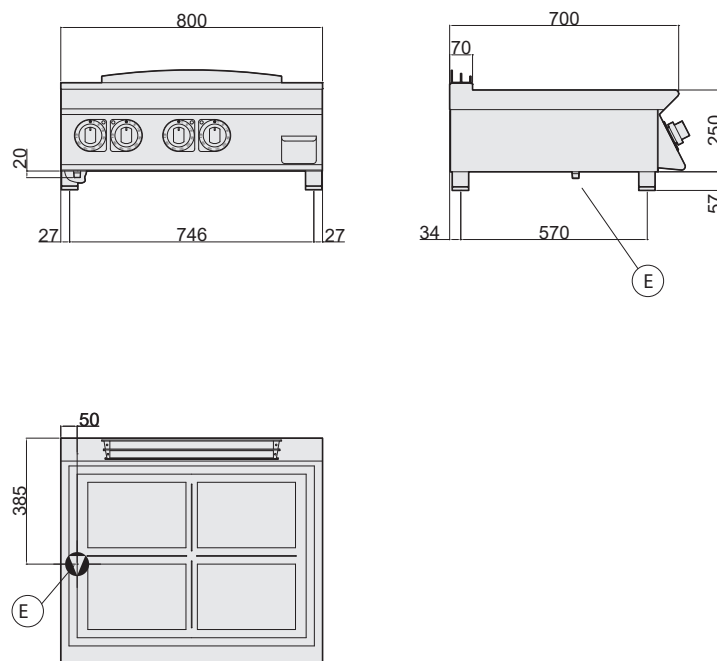
- External paneling in stainless steel
- Work surface in AISI 304, 1.2 mm thick
- Electric plate with 4 independent zones, each 2.5kW
- Extra-thick plate in 16M03 steel with smooth finish
- Work surface with perimeter liquid collection channel
- Removable plate, not built into the work surface
- Plate cooktop 700 x 500 mm
- Heating activated by thermostat with surface temperature regulation between 50°C and 400°C
- Heating with electric heating elements equipped with safety thermostat
- Ergonomic control panel with controls tilted toward the operator
- Indicator lights to monitor the correct operation of the appliance
- Height-adjustable stainless steel feet

TECHNICAL SPECIFICATIONS

Dimensions (mm)	800x700x250
Volume (m ³)	0,35
Weight (kg)	90

ELECTRICAL CONNECTION

kW	10
Power supply	VAC 400/3N 50/60Hz
Cold water inlet	



- Ⓐ water fill
- Ⓒ hot water fill
- Ⓔ electrical input
- Ⓕ cold water fill
- Ⓖ gas inlet
- Ⓗ water drain