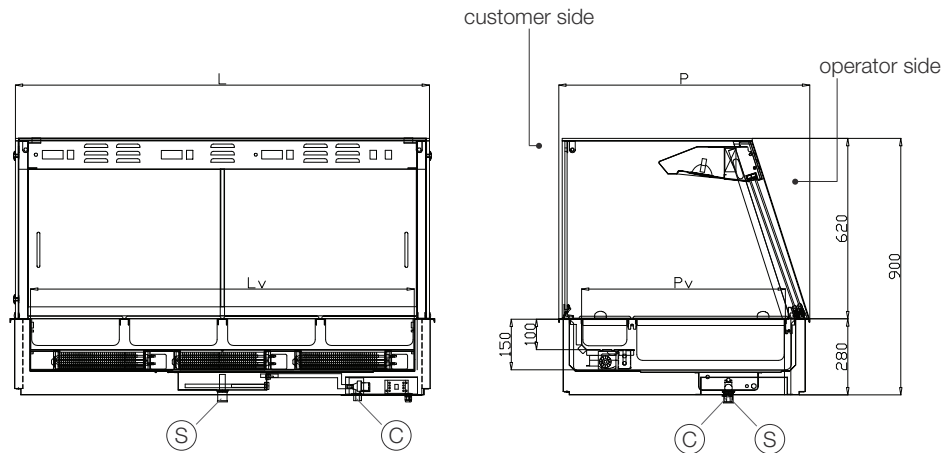


# Heated display case with humidification and ventilation - squared

- ▶ Stainless steel top AISI 304, th. 12/10
- ▶ Tank for GN 1/1 containers with maximum height of 150 mm and GN 1/3 with maximum height of 100 mm
- ▶ Finned heating elements with cross-flow fans for the correct temperature distribution inside the display case
- ▶ Humidification produced through an evaporation pan in the bottom of the tank with automatic water level control
- ▶ Halogen lamps
- ▶ Core temperature probe
- ▶ Temperature and humidity control through a digital programmable thermostat



ⓐ - Water inlet pipe 3/4"

ⓑ - Drain pipe 1/2"

External dimensions [mm] **LxP**  
 Well dimensions [mm] **LvxPvxHv**  
 Capacity GN 1/1 containers  
 Diameter water inlet pipe  
 Diameter drain pipe  
 Total power [Kw]  
 Well temperature [C°]  
 Supply voltage (50Hz)

	<b>3 GN1/1</b>	<b>4 GN1/1</b>	<b>5 GN1/1</b>
External dimensions [mm] <b>LxP</b>	1125x860	1455x860	1780x860
Well dimensions [mm] <b>LvxPvxHv</b>	980x690x100/150	1310x690x100/150	1630x690x100/150
Capacity GN 1/1 containers	3 GN1/1+1/3	4 GN1/1+1/3	5 GN1/1+1/3
Diameter water inlet pipe	3/4"	3/4"	3/4"
Diameter drain pipe	1/2"	1/2"	1/2"
Total power [Kw]	2,5	3,5	3,5
Well temperature [C°]	+65/+85	+65/+85	+65/+85
Supply voltage (50Hz)	230V 1F+N	230V 1F+N	230V 1F+N