

CERAMIC GLASS HOB ON ELECTRIC OVEN



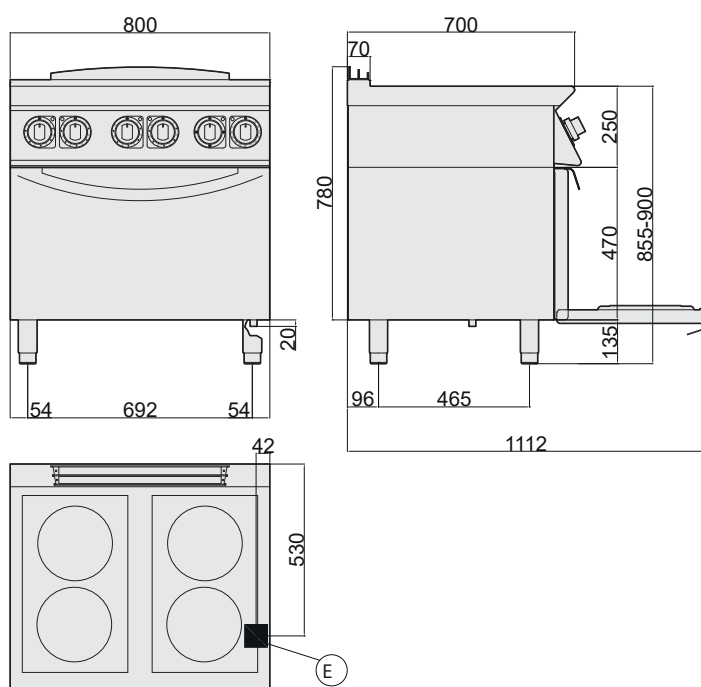
- External paneling in stainless steel
- Work surface in AISI 304, 1.2 mm thick
- Ceramic glass cooktop, 6 mm thick
- Height-adjustable work surface from 855 to 900 mm
- Equipped with 4 independent cooking zones, each 2.1kW and 230mm in diameter, controlled by a power regulator
- The heating zones are separated by silk-screened profiles on the glass
- Electric oven base in steel
- Standard electric oven
- Heating with independently regulated top and bottom heating elements
- Thermostat for temperature regulation between 50 °C and 300 °C
- 4-position switch and safety thermostat
- Cooking chamber dimensions, 693 x 300H x 580 mm GN 2/1
- Oven power 6.2 kW
- Moulded inner door
- Indicator lights to monitor the correct operation of the appliance
- Ergonomic control panel with controls tilted toward the operator
- Height-adjustable stainless steel feet

TECHNICAL SPECIFICATIONS

Dimensions (mm)	800x700x900
Volume (m ³)	0,90
Weight (kg)	130

ELECTRICAL CONNECTION

kW	14,6
Power supply	VAC 400/3N 50/60Hz
Cold water inlet	



- Ⓐ water fill
- Ⓒ hot water fill
- Ⓔ electrical input
- Ⓕ cold water fill
- Ⓖ gas inlet
- Ⓗ water drain

