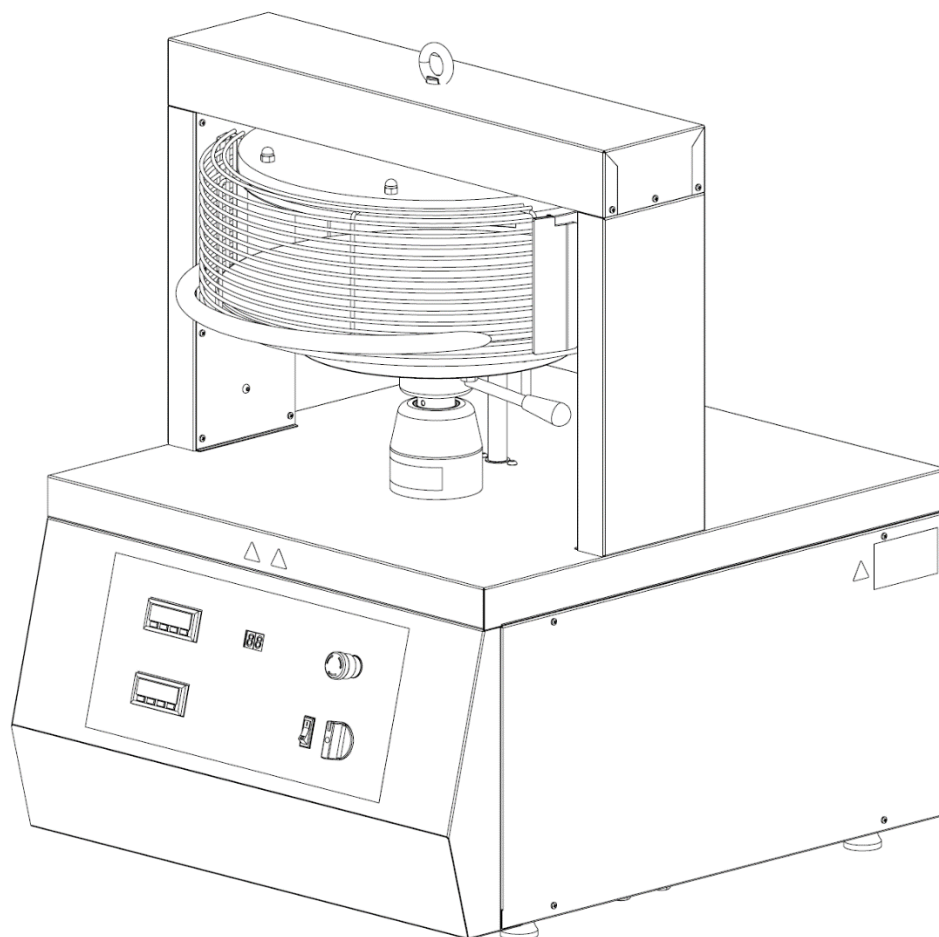


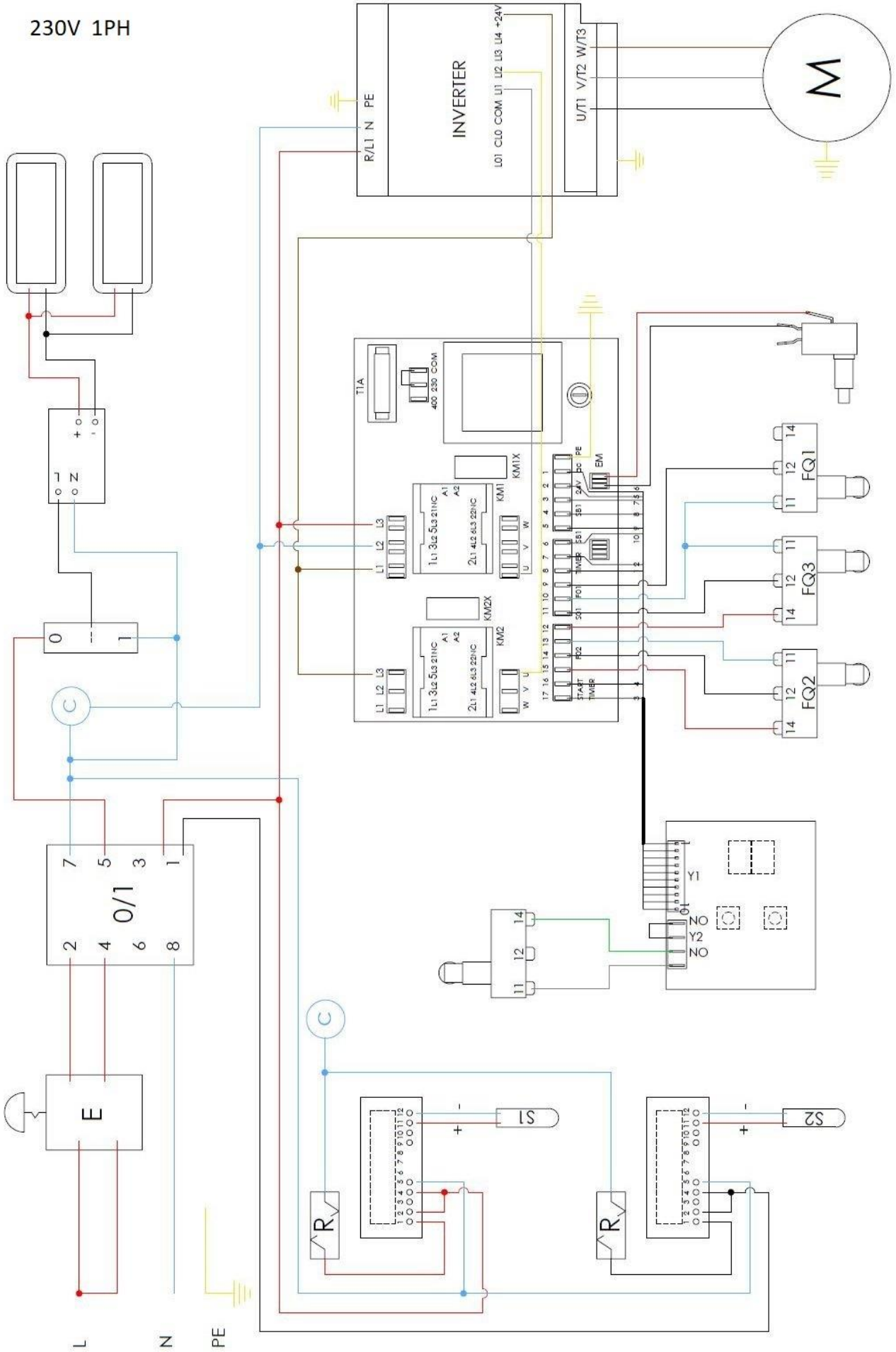
prismafood

▶▶▶ solutions

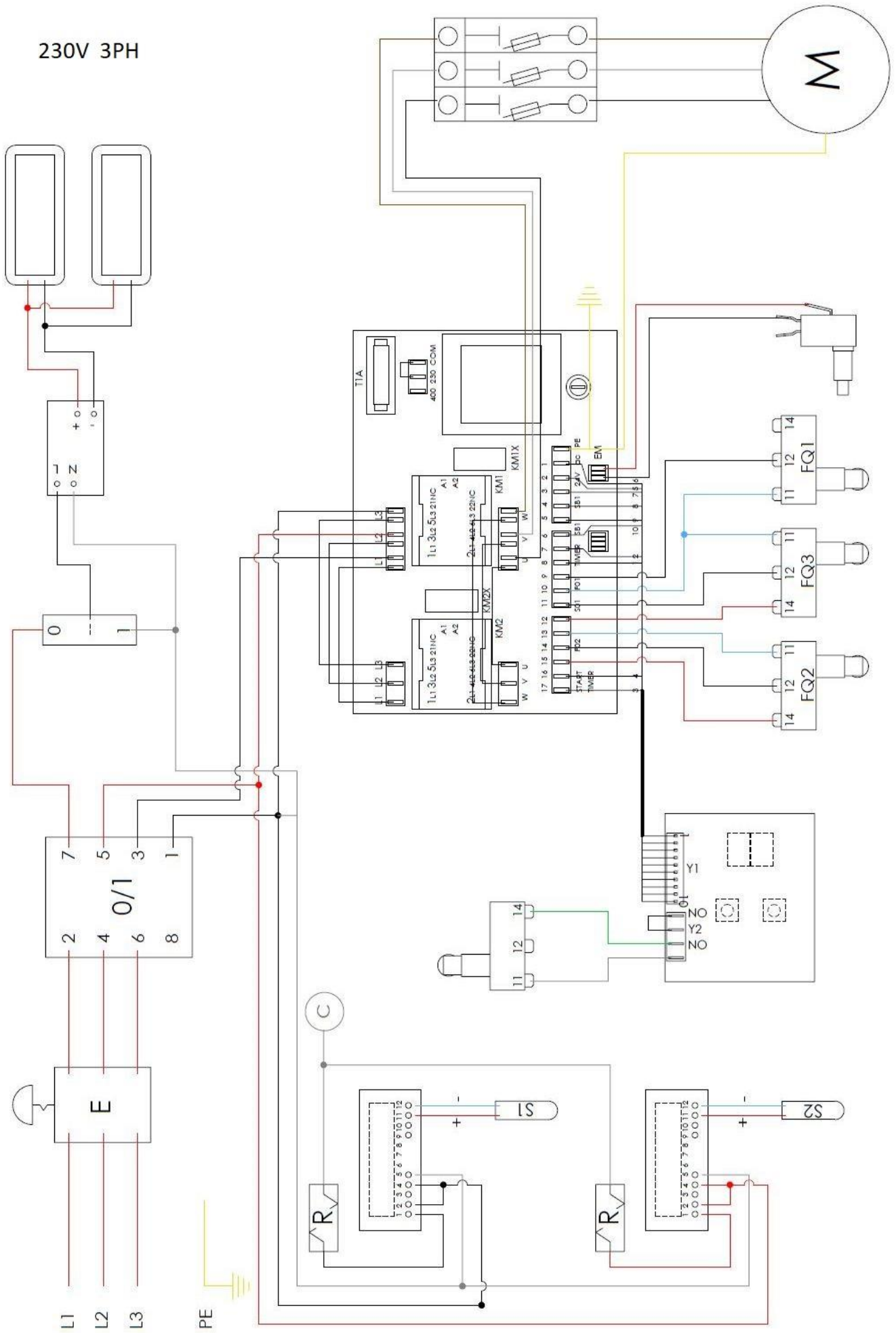
PIZZAPRESS



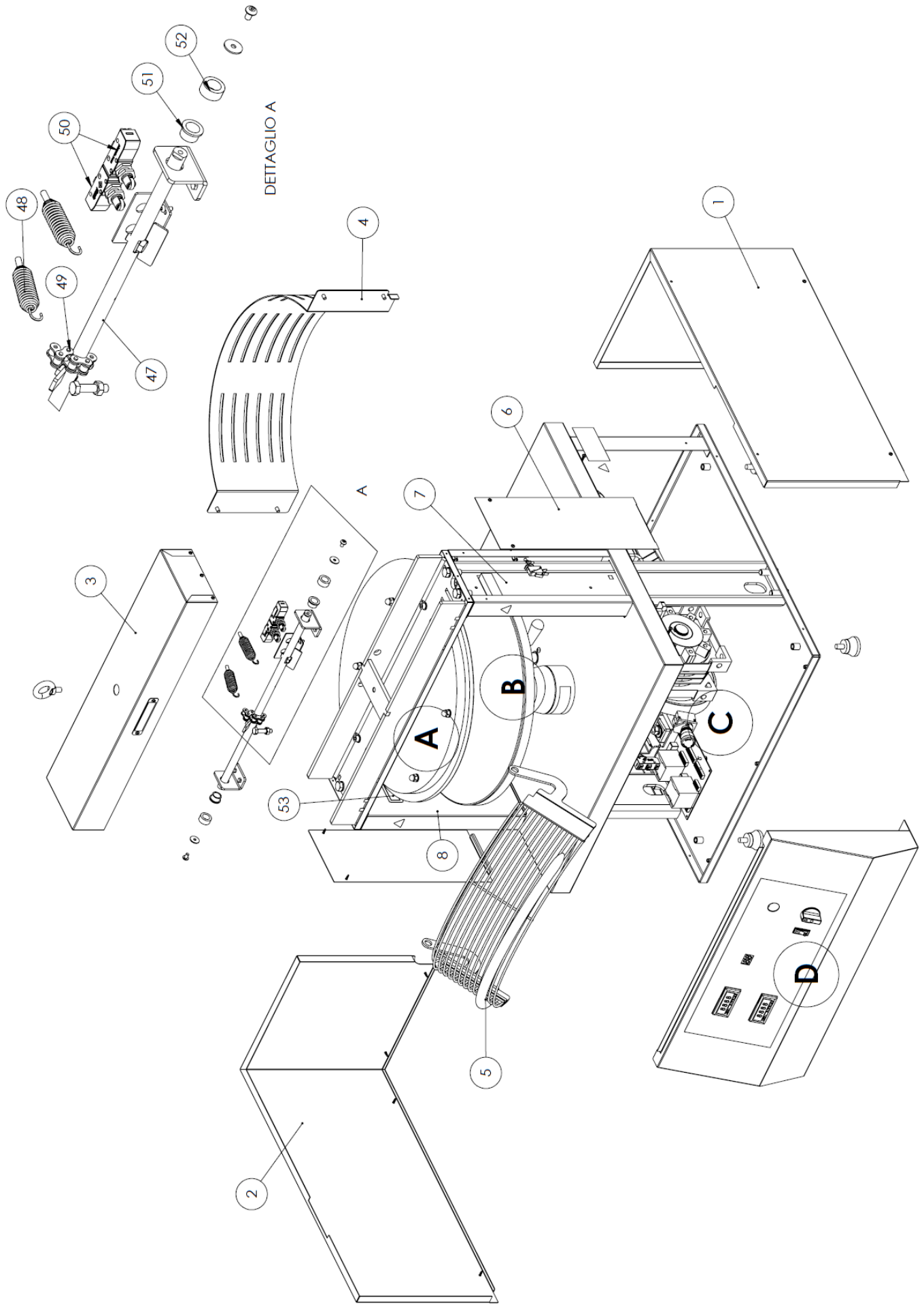
WIRING DIAGRAMS



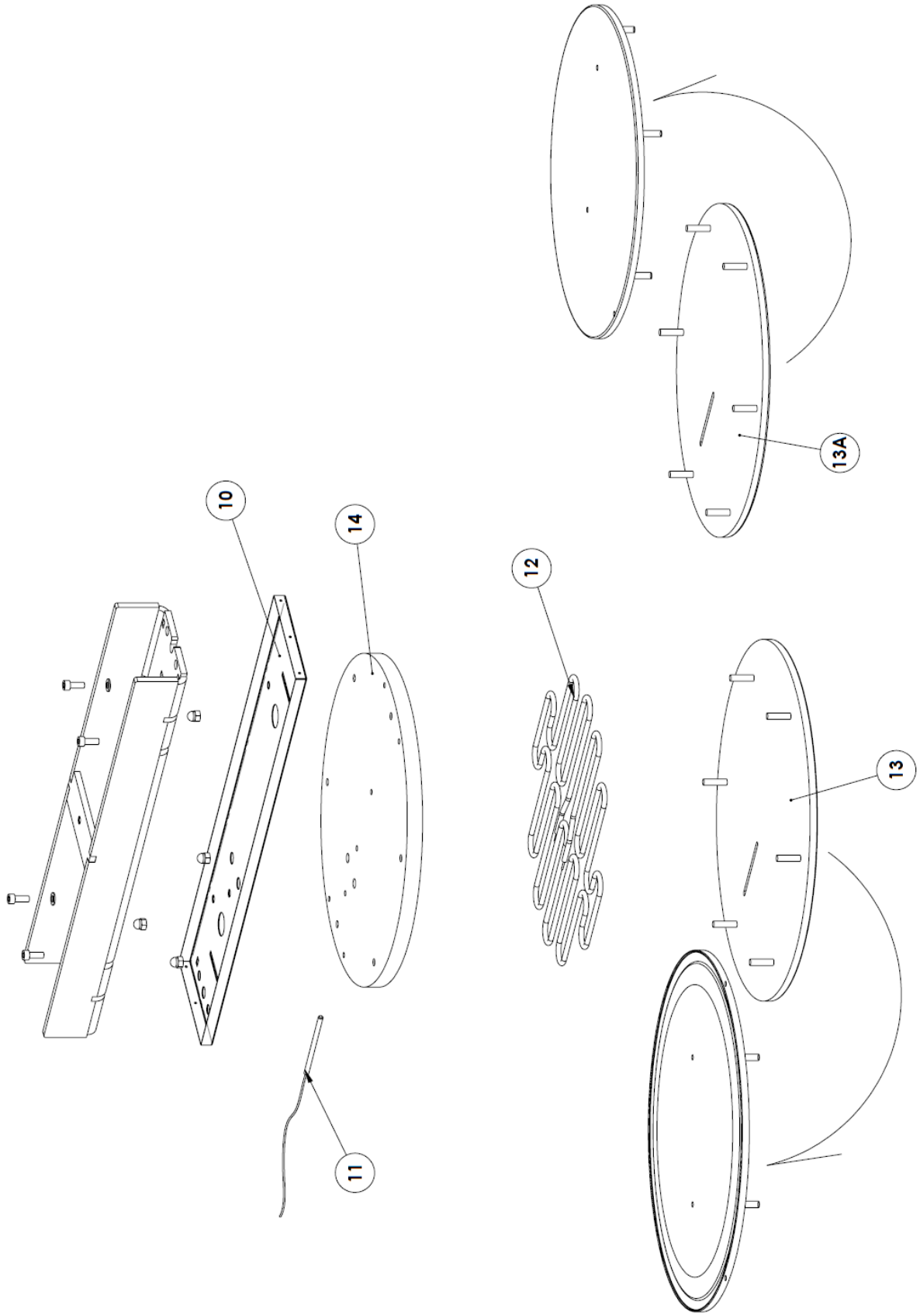
230V 3PH



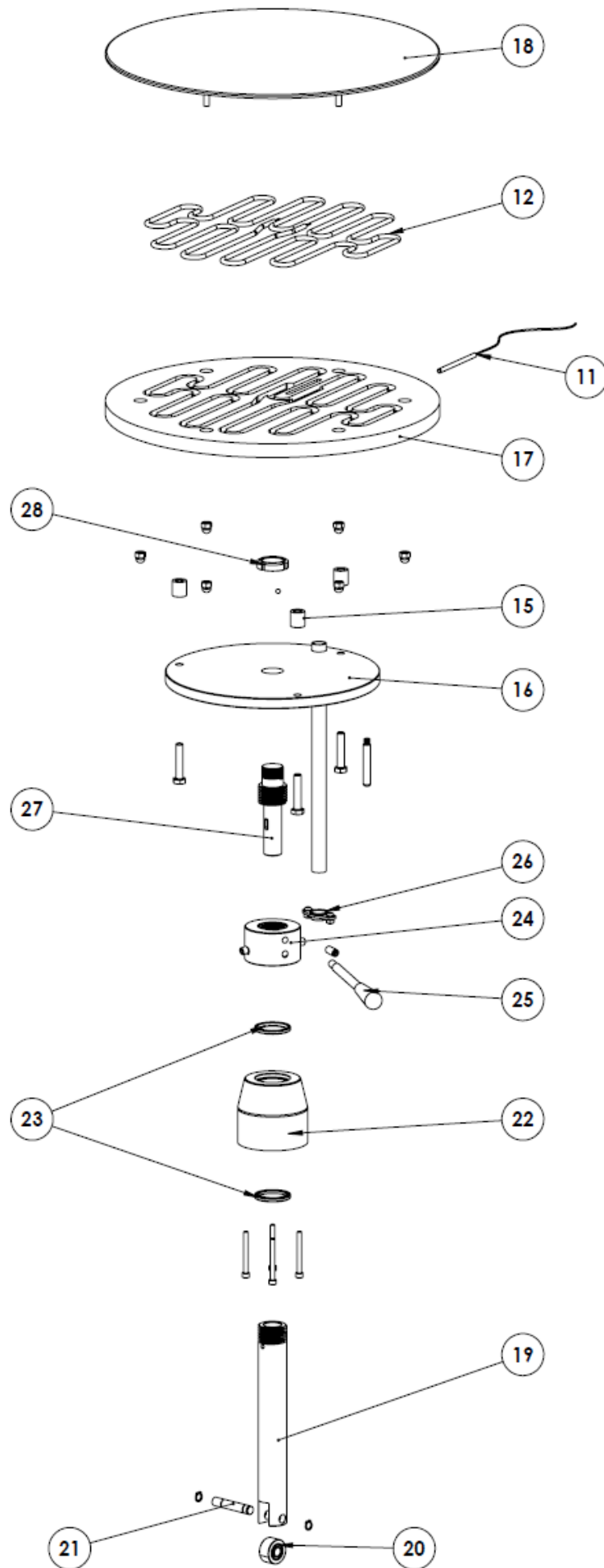
EXPLODED VIEW



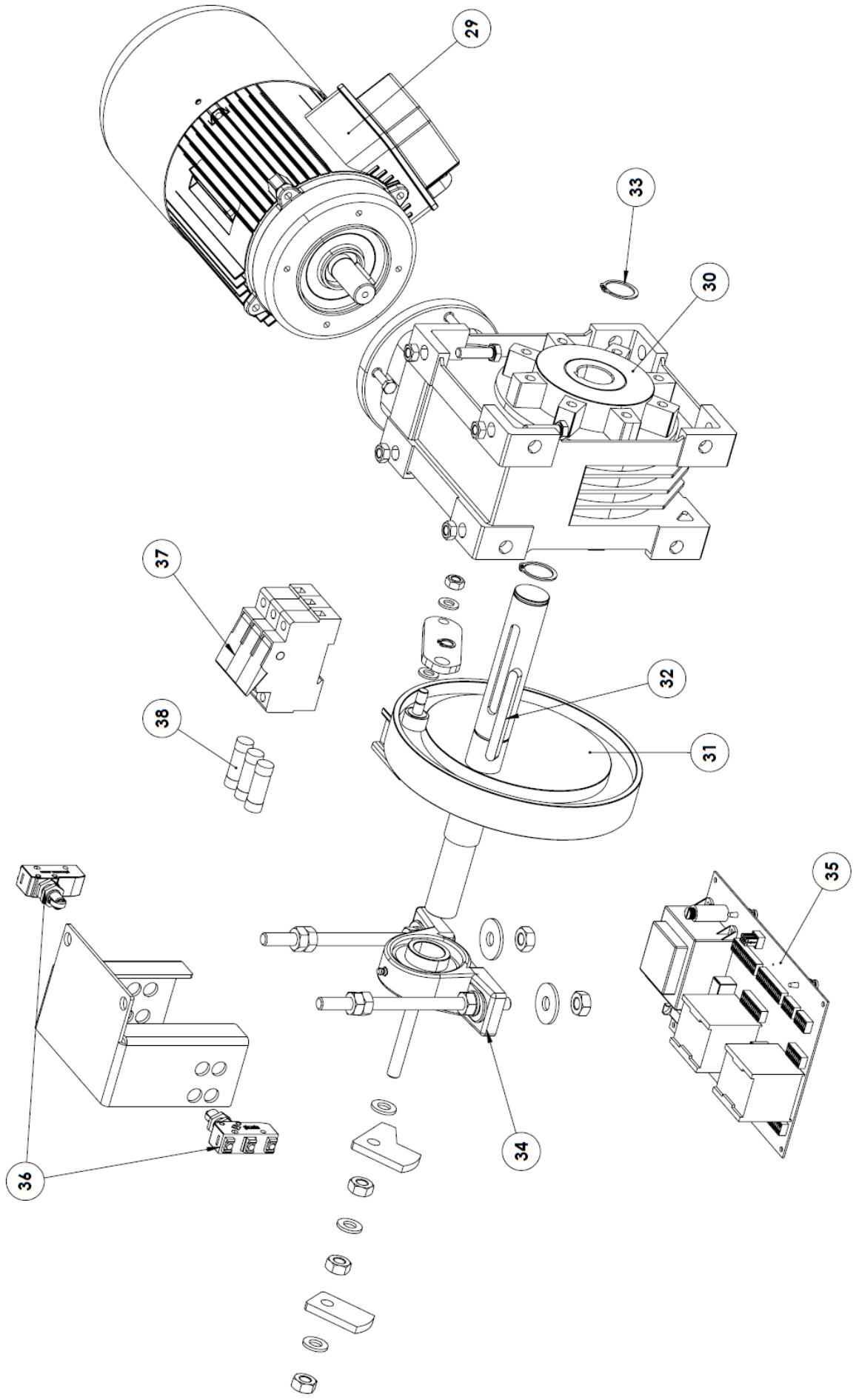
PART. "A"



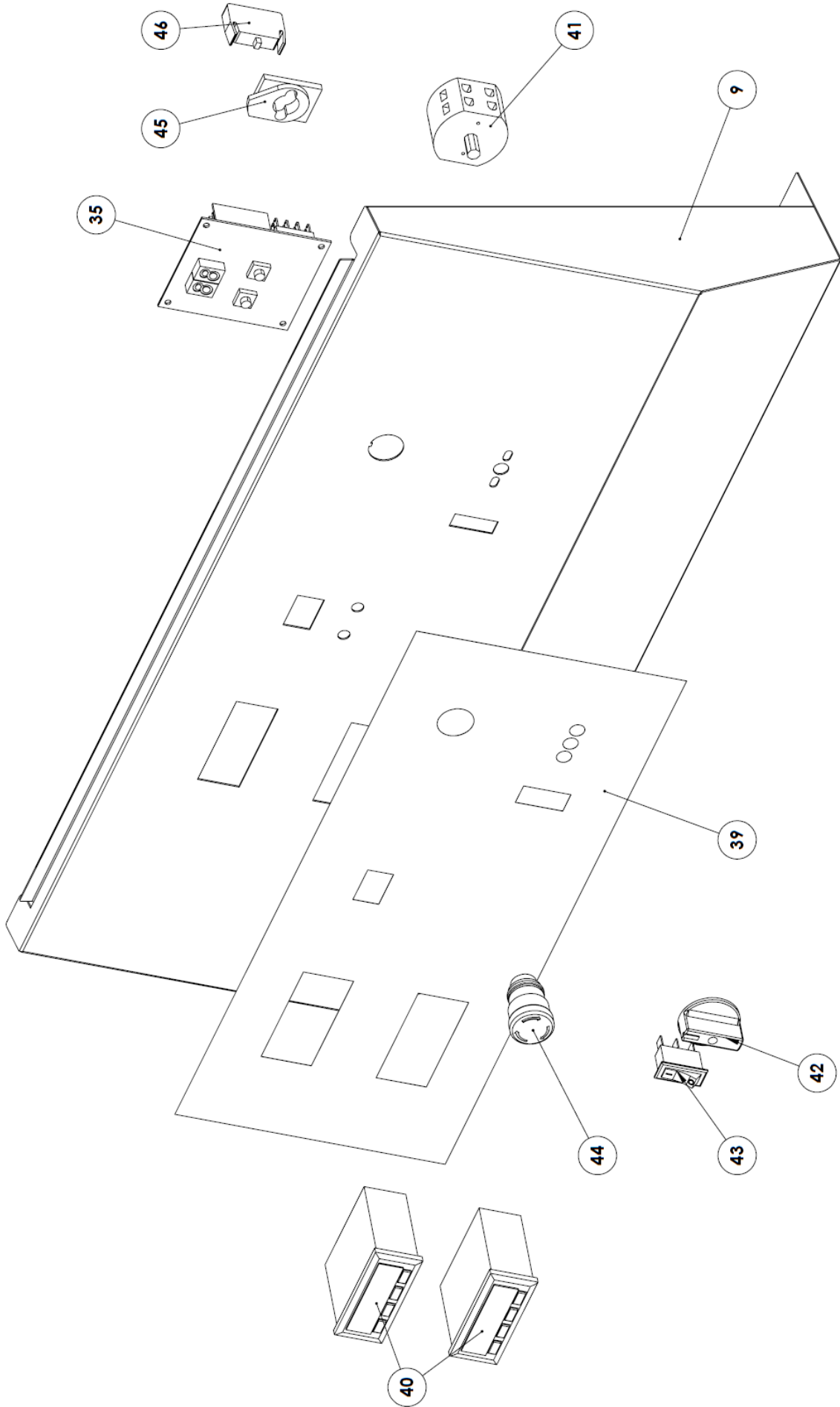
PART. "B"



PART. "C"



PART. "D"



SPARE PARTS

RIF.	33	45	50
1	4P040801	4P040806	4P040806
2	4P040802	4P040807	4P040807
3	4C010770	4C010771	4C010771
4	4C010677	4C010678	-----
5	5G080100	5G080105	5G080110
6	4C010790	4C010791	4C010791
7	4C010785	4C010786	4C010786
8	4C010780	4C010781	4C010781
9	4F020825	4F020826	4F020826
10	4F010513	4F010512	4F010512
11	5S010035	5S010035	5S010035
12	5R050600	5R050605	5R050605
13	4P020752	4P020757	-----
13A	4P020751	4P020756	-----
14	4S003044	4S003046	-----
15	3D010255	3D010255	3D010255
16	3D010302	3D010305	3D010305
17	4S003034	4S003036	-----
18	4P020701	4P020706	-----
19	3A010355	3A010356	3A010356
20	5C030040	5C030040	5C030040
21	3P030068	3P030068	3P030068
22	3B010598	3B010598	3B010598
23	5A010011	5A010011	5A010011
24	3G000026	3G000026	3G000026
25	3B010405	3B010405	3B010405
26	5B100022	5B100022	5B100022
27	3A010365	3A010365	3A010365
28	5G500030	5G500030	5G500030
29	5M020650	5M020651	5M020651
30	5R010535	5R010536	5R010536
31	3C010310	3C010311	3C010311
32	5L500046	5L500046	5L500046
33	5S500115	5S500115	5S500115
34	5S030020	5S030020	5S030020
35	5S010040	5S010040	5S010040
36	5M050501	5M050501	5M050501
37	5P100257	5P100257	5P100257
38	5F000114	5F000114	5F000114
39	5E200283	5E200283	5E200283
40	5C150002	5C150002	5C150002
41	5I100022	5I100022	5I100022
42	5M200008	5M200008	5M200008
43	5I100017	5I100017	5I100017
44	5P100140	5P100140	5P100140
45	5B100002	5B100002	5B100002
46	5C150100	5C150100	5C150100
47	3A010520	3A010521	3A010521
48	5M500018	5M500018	5M500018
49	5C020125	5C020125	5C020125
50	5M050501	5M050501	5M050501
51	3B010700	3B010700	3B010700
52	3D010050	3D010050	3D010050
53	5L020050	5L020050	5L020050

TECHNICAL DATA

			33	45	50
BODY	HEIGHT	mm.	821	855	855
	WIDTH	mm.	470	655	655
	DEPTH	mm.	660	750	750
	NET WEIGHT	kg.	121	163	172
THREE-PHASE MOTOR	POWER	kW	4,75	6,1	6,1
	VOLTAGE	V.	400	400	400
	FREQUENCY	Hz.	50/60	50/60	50/60
SINGLE-PHASE MOTOR	POWER	kW	4,75	6,1	6,1
	VOLTAGE	V.	230	230	230
	FREQUENCY	Hz.	50/60	50/60	50/60
PACKAGING	HEIGHT	mm.	1030	1030	1030
	WIDTH	mm.	750	750	750
	DEPTH	mm.	880	880	880
	GROSS WEIGHT	kg.	140	182	191
	VOLUME	mc.	0.70	0.70	0.70

