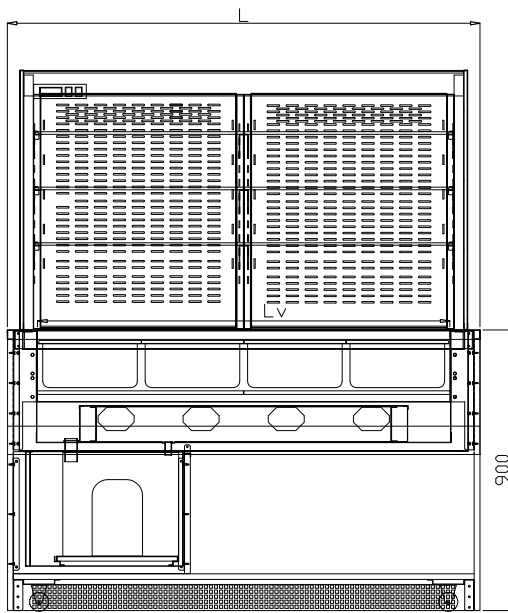
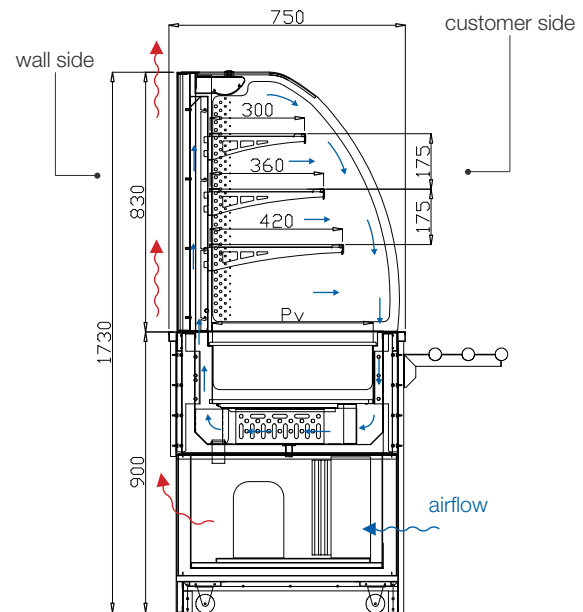


Wall refrigerated display case on refrigerated tank - 3 shelves, curved

- ▶ Stainless steel top H 30 mm in AISI 304, th. 12/10 with straight edges
- ▶ Refrigerated laminar airflow in the tank and on all shelves
- ▶ Stainless steel height-adjustable blind bottoms (useful height 30-150 mm)
- ▶ Height adjustable shelves
- ▶ LED lighting on the ceiling
- ▶ Evaporator with anti-corrosion coating, which can be lifted to easily clean the well
- ▶ Insulation by high density expanded polyurethane without C.F.C. and H.C.F.C.
- ▶ With condensing unit or pre-set for remote refrigeration
- ▶ Automatic condensed water evaporation
- ▶ Digital control system for temperature adjustment and defrosting
- ▶ Counter in laminated wood, on wheels



customer side view



	3 GN1/1	4 GN1/1	5 GN1/1
External dimensions [mm] LxPxH	1170x750x1730	1500x750x1730	1825x750x1730
Well dimensions [mm] LvxPvxHv	980x510x30/150	1310x510x30/150	1630x510x30/150
Capacity GN 1/1 containers	3 GN1/1	4 GN1/1	5 GN1/1
Temperature [°C] w/curtain	-1/+7**	-1/+7**	-1/+7**
Refrigerant gas	R452A	R452A	R452A
Cooling power at -10°C [W]	980	1150	1650
Total power [Kw]	1	1,1	1,3
Supply voltage (50Hz)	230V 1F+N	230V 1F+N	230V 1F+N

** Classification 2M2 according to UNI EN ISO 23953-1:2006, UNI EN ISO 23953-2:2006

Curtain



GN 1/1	Dim. LxPxH mm	Code	Model	€
3	1170x750x1730	8087567	SUPWPA3RVR3	7.915,50
4	1500x750x1730	8087568	SUPWPA3RVR4	8.639,50
5	1825x750x1730	8087569	SUPWPA3RVR5	9.650,50

Surcharge for LED lighting on all shelves

- 3 GN 1/1 312,00 €
- 4 GN 1/1 338,00 €
- 5 GN 1/1 364,00 €