

ELECTRIC BAIN-MARIE ON OPEN BASE CABINET



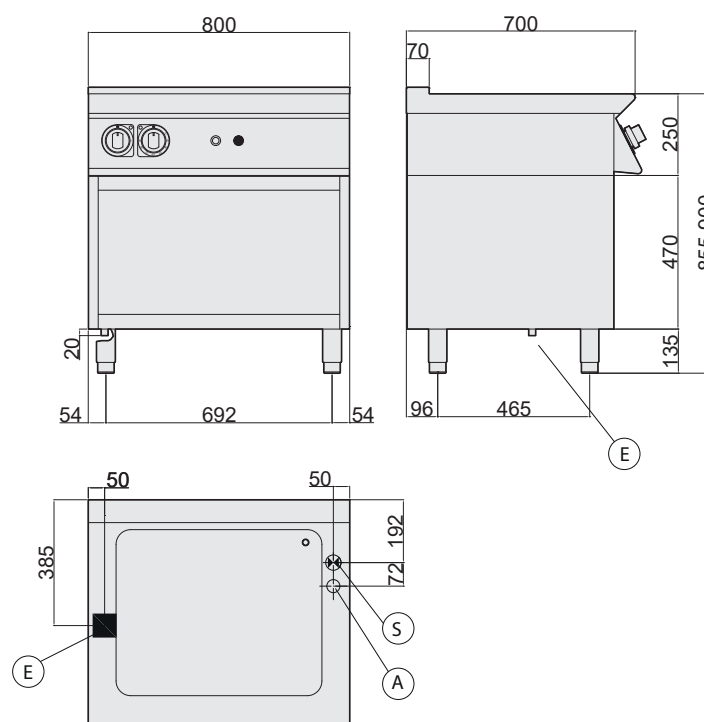
- External paneling in stainless steel
- Work surface in AISI 304, 1.2 mm thick, without flue cut-out
- Height-adjustable work surface from 855 to 900 mm
- Tank in AISI 304 stainless steel with rounded corners for thorough cleaning
- Tilted tank bottom to improve the flow of water toward the drain
- GN 2/1 tank for insertion of trays with minimum height 150 mm
- Tank filling through a nozzle activated by a button on the control panel
- Water filling and draining via a solenoid valve
- Heating with silicon coated plated heating elements positioned under the tank
- Temperature regulation via thermostat between 30°C and 90°C
- Indicator lights to monitor the correct operation of the appliance
- Ergonomic control panel with controls tilted toward the operator
- Height-adjustable stainless steel feet

TECHNICAL SPECIFICATIONS

Dimensions (mm)	800x700x900
Volume (m ³)	0,90
Weight (kg)	70

ELECTRICAL CONNECTION

kW	2,2
Power supply	230 V/1N 50/60Hz
Cold water inlet	3/4"



- Ⓐ water fill
- Ⓒ hot water fill
- Ⓔ electrical input
- Ⓕ cold water fill
- Ⓖ gas inlet
- Ⓗ water drain

