

ELECTRIC GRILL - COUNTERTOP



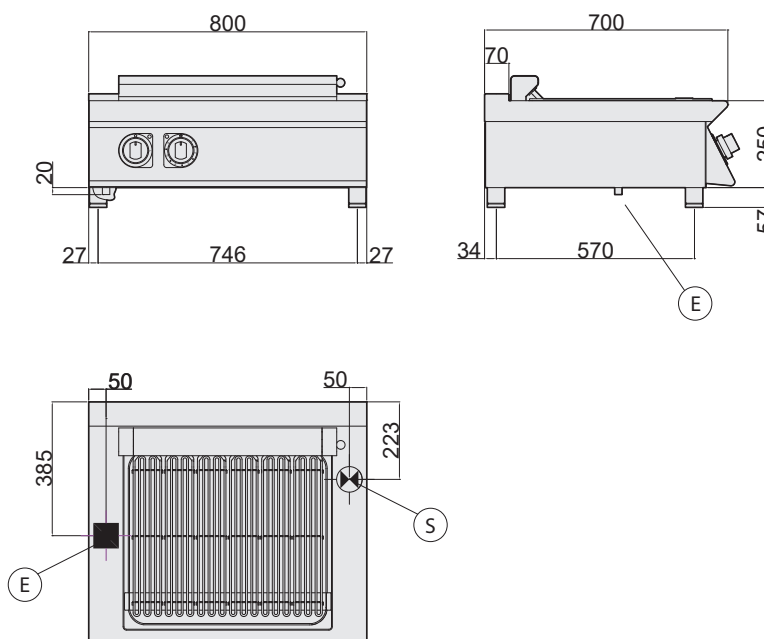
- External paneling in stainless steel
- Work surface in AISI 304, 1.2 mm thick
- Direct cooking in contact with heating elements
- Liftable heating elements for thorough cleaning
- Equipped with GN 2/1 water tray to obtain the perfect level of moisture in the product
- Equipped with scraper to clean the heating elements
- Heating activated by power regulator from 1 to 6
- Maximum temperature 400 °C
- Cooktop 545 x 447 mm
- Indicator lights to monitor the correct operation of the appliance
- Ergonomic control panel with controls tilted toward the operator
- Height-adjustable stainless steel feet

TECHNICAL SPECIFICATIONS

Dimensions (mm)	800x700x250
Volume (m ³)	0,35
Weight (kg)	75

ELECTRICAL CONNECTION

kW	8
Power supply	VAC 400/3N 50/60Hz
Cold water inlet	



- (A) water fill
- (C) hot water fill
- (E) electrical input
- (F) cold water fill
- (G) gas inlet
- (S) water drain

