

### GAS BOILING PAN - DIRECT HEATING 150 L



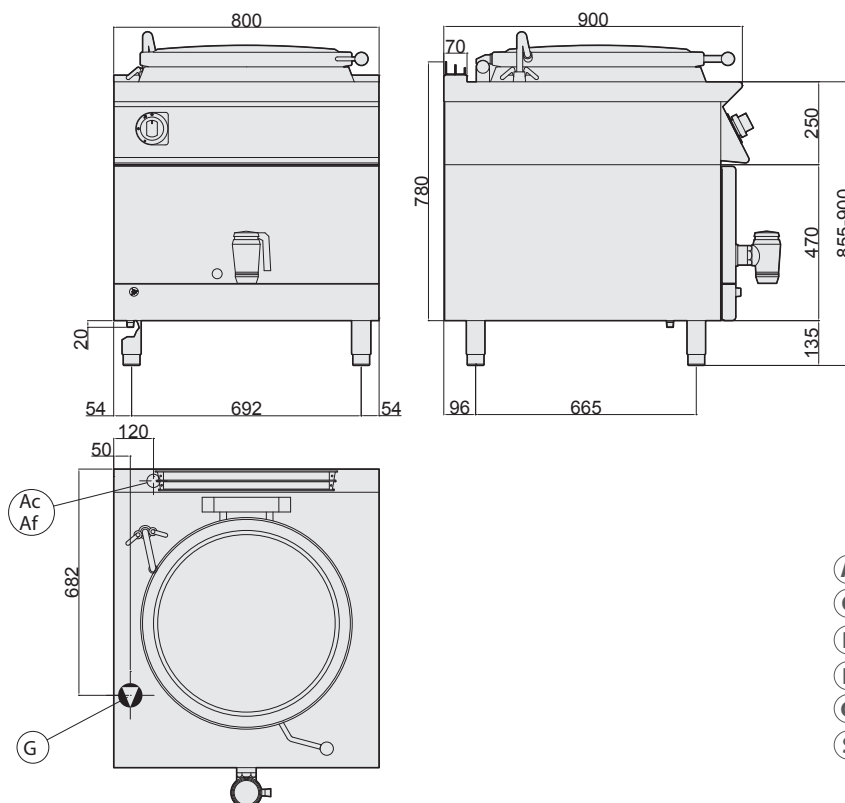
- External paneling in stainless steel
- Work surface in AISI 304, 2 mm thick
- Height-adjustable work surface from 855 to 900mm
- Pan bottom in polished AISI 316 stainless steel, walls in AISI 304 stainless steel
- Tank filling with hot and cold water via articulated tap positioned on the work surface
- Tank drainage with 2" safety valve with heat-proof grip
- Lid with counter-balance opening and side grip
- Direct heating with tubular burners in AISI 304 stainless steel positioned under the pan
- Gas supply controlled by safety valve with thermocouple
- Temperature controlled manually
- Ignition: piezoelectric ignitor with liquid protection cover
- Pan diameter 600 mm, capacity 150 L
- Ergonomic control panel with controls tilted toward the operator
- Height-adjustable stainless steel feet

#### TECHNICAL SPECIFICATIONS

Dimensions (mm)	800x900x900
Volume (m <sup>3</sup> )	1,20
Weight (kg)	150

#### GAS CONNECTION

kW	24
UNI ISO 7/1 R 3/4"	
Cold water inlet	1/2" - 1/2"



- Ⓐ water fill
- Ⓒ hot water fill
- Ⓔ electrical input
- Ⓕ cold water fill
- Ⓖ gas inlet
- Ⓗ water drain

