

KLIMA MEAT VISION

Patented

Dry Aging Cabinet double glass DATA SHEET VISION

N.B. Temperature inside the room where Klima is placed: min/max +18°C/+40°C.
Outside this range, KLIMA technology shall not work correctly.

DATA SHEET VISION

Length (mm): 1100
Depth (mm): 765
Height (mm): 1390
Pallet size (mm): 1150x870x1470

KMVS

Net weight (kg): 160
Packed unit weight (kg): 177

Production capacity (kg): min 50 - max 120
Electrical power: 0,40 kW
Electrical connection: 230V - 50 Hz

Model:

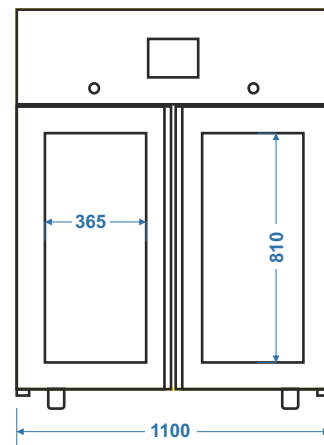
- KMVS

front: 2 glass doors
rear: back side with fixed window

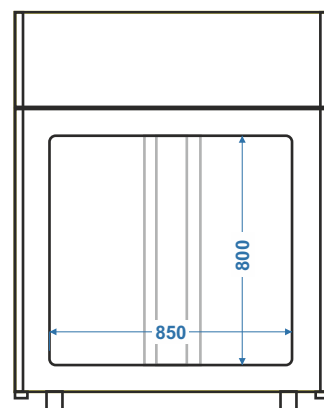
- made outside in painted black metal, inside in AISI 304 stainless steel with glass back side
- Insulated with 75 mm cyclopentane
- Evaporator outside the room
- Adjustable inox steel feet
- Key hole on front
- Internal gearing with AISI 304 inox steel rails
- Reversible self-closing doors with gasket

KMVS

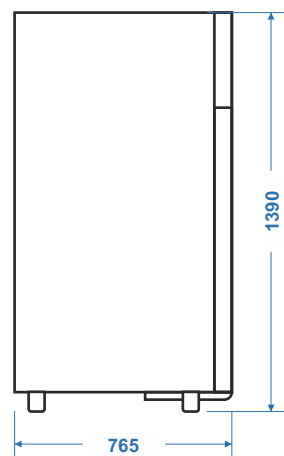
FRONT



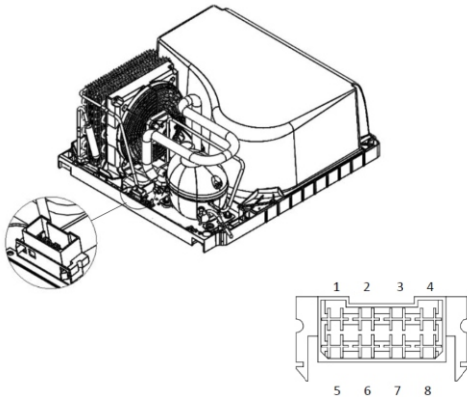
BACK



SIDE



CUSTOMIZED SINGLE BLOCK REFRIGERATION GROUP



- 1- Neutral compressor
- 2- Neutral ventilator condenser
- 3- Neutral ventilator evaporator
- 4- Neutral defroster
- 5- Phase compressor
- 6- Phase ventilator condenser
- 7- Phase ventilator evaporator
- 8- Phase defroster

- Energy Efficiency Class 5 (Tropicalised)
- Gas R290 = GWP 3 (Global Warming potential = GWP) (R134a – GWP 1430) - (R404 – GWP 3922)
- Assembled using low environmental impact material, such as EPS and PP
- High efficiency unit with HC-R290 natural cooling gas
- Warm gas smart defrosting system which starts automatically only when necessary
- High efficiency version with low consumption motor fans and compressors
- Effective internal air circulation thanks to high efficiency ventilation system
- Autonomous evaporation of condensed water which starts automatically when condensation is formed
- Built-in evaporator to keep more free space inside the chamber
- Big sized condenser and evaporator
- Forced ventilation
- Fast Service System: simplified maintenance and assistance (do not require specialized personnel, simple and quick operations)
- Self-cleaning wire condenser, no maintenance needed.
- Refrigerating power 336W - Electrical power 180W

TECNICAL MANUFACTURING FEATURES

- 7" high resolution touch screen monitor with LED back light
- Sound and visual alarms
- Customizable graphic and icons for quick access to parameters and programs
- Multilanguage
- Possibility to set 7 phases per each recipe
- Temperature adjustment range from -2°C + 5°C
- Automatic temperature and humidity probe
- GSM connection modem (to be paid separately) for receiving notifications about malfunctions
- Datalogger for HACCP
- Patented sanitizing system Oxigenklima
- Internal lightening with LED light bars
- Independent and autonomous double refrigeration system, climate class 5, Patented
- Indirect ventilated refrigeration with horizontally conveyed airflow (Patented)
- USB door + micro SD
- 1MB memory
- Glass door with full stainless steel frame
- 5 preset and customizable recipes
- Electrical box with power jack plugs