

### 4 ROUND PLATE ELECTRIC HOB - COUNTERTOP



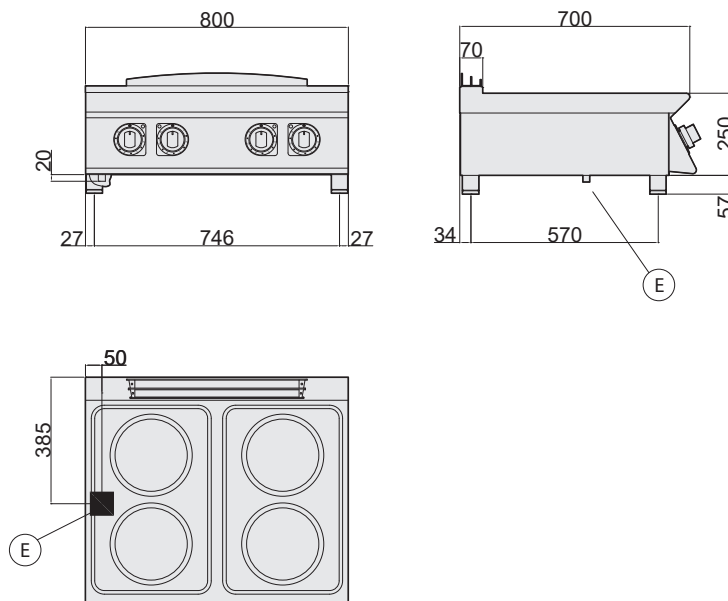
- External paneling in stainless steel
- Electric cooktop in AISI 304 stainless steel
- Moulded work surface in AISI 304, 1.2 mm thick, with raised edges to prevent spills
- Circular hot plates Ø 220, in cast iron
- No. 4 hot plates, each 2.6kW, hermetically sealed to the work surface
- Heating regulation via 6-position selector
- Ergonomic control panel with controls tilted toward the operator
- Hot plates equipped with automatic reset safety thermostat, which activates in case of use without pans or with unsuitable pans
- Indicator light to monitor the correct operation of the appliance
- Height-adjustable stainless steel feet

#### TECHNICAL SPECIFICATIONS

|                          |             |
|--------------------------|-------------|
| Dimensions (mm)          | 800x700x250 |
| Volume (m <sup>3</sup> ) | 0,35        |
| Weight (kg)              | 55          |

#### ELECTRICAL CONNECTION

|                  |                       |
|------------------|-----------------------|
| kW               | 10,4                  |
| Power supply     | VAC 400/3N<br>50/60Hz |
| Cold water inlet |                       |



- (A) water fill
- (C) hot water fill
- (E) electrical input
- (F) cold water fill
- (G) gas inlet
- (S) water drain

